



## Paradox Esprit 708 Alarm Panel

- ✓ **Panel Dialler wiring**
- ✓ **Panel Dialler programming**

### Background:

The PM45 & PM1048-3G (v3) communicator now has a terminal block for the connection of the female 611 fly lead (supplied). If the Alarm Panel also has a terminal block for PSTN connection, we recommend you use your own cable between the Alarm Panel dialler and PM45 & PM1048-3G (v3).

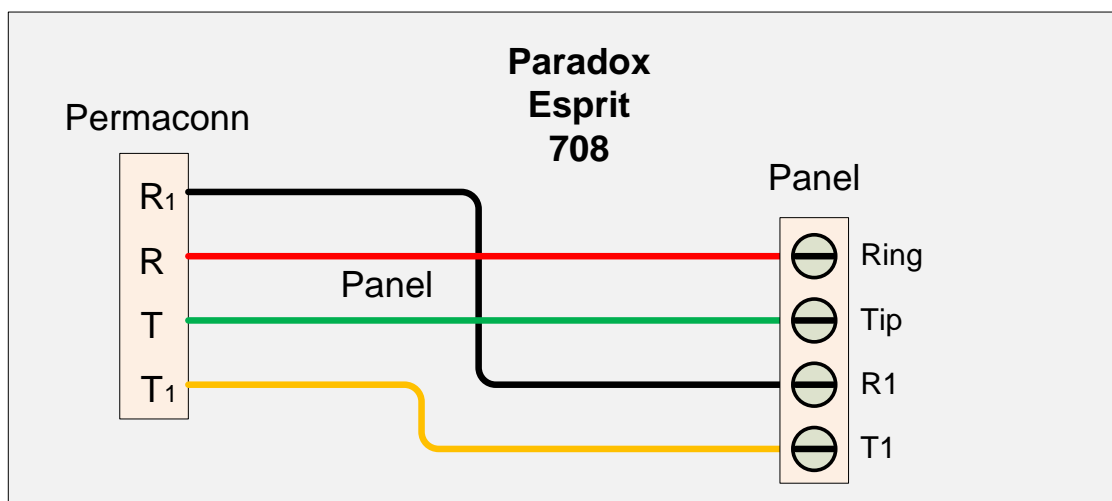
This type of installation negates the use of the female 611 fly lead, decreasing your installation time.

For four (4), six (6) and eight (8) pin RJ connectors, please refer to manufactures wiring diagram.

There are four minimum requirements from the Alarm panel for successful communication:

- 1) Must have an eight (8) digit primary phone. E.g. 12345678 or 55555555.
- 2) A four (4) digit account number.
- 3) Must be Contact ID format.
- 4) Must be set for tone (DTMF) dialling.
- 5) Optional is open / close reporting, must be enabled for Pocket Secure App.

### Dialler Lead wiring between Permaconn and Paradox Esprit 708 Alarm Panel:



There are two methods of programming, Hexa and Streamline. For the purpose of this document Streamline programming will be explained.

Streamline Section Programming: Sections 00 to 72:

- Press (Enter) + (Installer Code) + (7)
- Enter 2 – digit section number followed by the 8 – digits. ( Data is saved automatically)
- Press (Clear) to exit program mode.

Section 04: Phone N#1 (8 – digits) e.g. 12345678

Section 05: Phone N#2 (8 – digits) e.g. 12345678

Section 08: Account A & B (8 – digits) e.g. 1234 1234 or A123 A123.

Section 09: Format: (9) CID programmable codes or (10) CID all codes

NB: On alarm all events are send on Phone 1  
Once disarmed all system events are sent on  
Phone 2. Section 05:

Section 086: (2<sup>nd</sup> must be Off) (3 must be On) (4 must be Off & 5 must be On) (11 must be Off)

No keyswitch available on this panel