


Bosch 3000 Alarm Panel

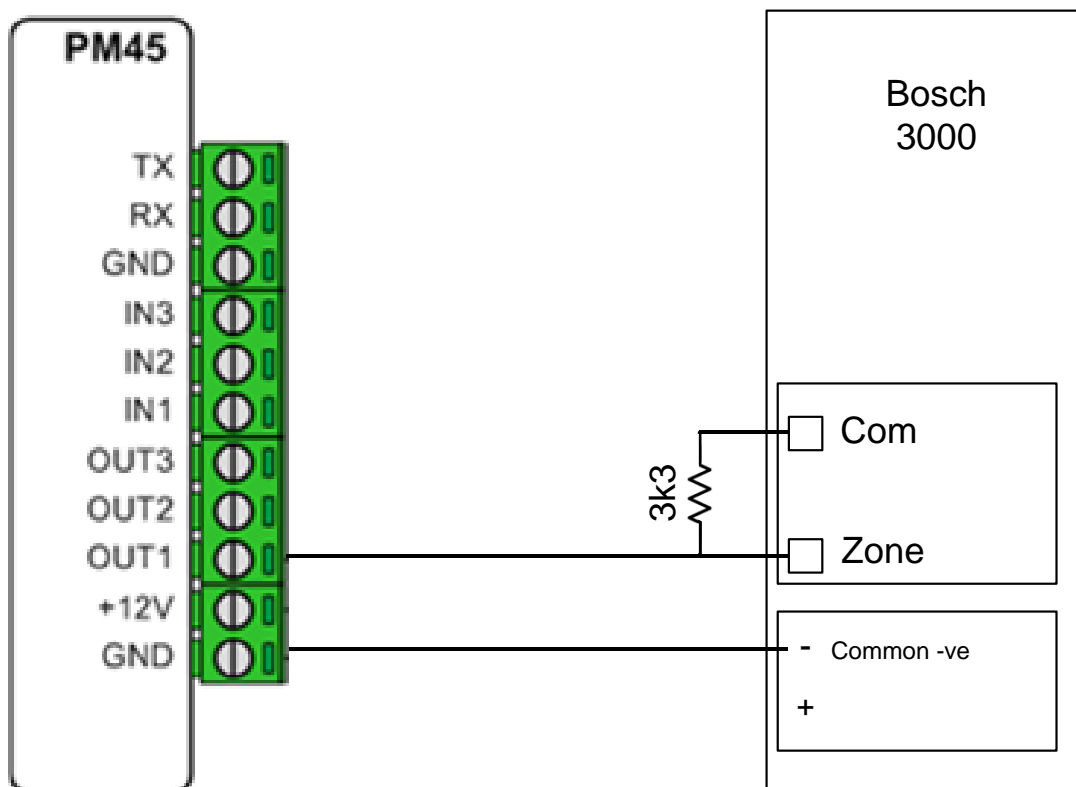
- ✓ **Keyswitch wiring**
- ✓ **Keyswitch programming**



Background: There are three (3) Outputs available.

- Outputs are 'Open Collector' @50mA switching negative - for heavier loads a relay must be used.
- Outputs can be used for e.g. Keyswitch, opening gates or doors etc.
- Ensure there is a common negative between Permaconn and the device being switched.
- The outputs can be Opened, Closed or Pulsed remotely using the Permaconn Atlas web portal.
- The Pocket Secure App can only 'Pulse' the Outputs. A Pulse is approx 1sec.
-  Compatible with 'Pocket Secure' remote arming App, available on iTunes, Google Play and the Windows Phone Store.
- These outputs when wired to a Keyswitch zone on the Alarm Panel can arm & disarm up to a maximum of three (3) areas when using 'Pocket Secure' app.
- Each area should be independently controlled using a separate Keyswitch zone.
- Arm/Disarm reporting **MUST be Enabled**. Pocket Secure App requires this for its status notifications.
- Test each Output by placing the +ve leg of a multi meter on the +ve terminal that supplies power to the Permaconn, then place the -ve leg of a multi meter on the Output terminal you wish to test. Pulse the selected Output the result should go from 0v DC to 12v DC for approx 1sec and back to 0vDC.

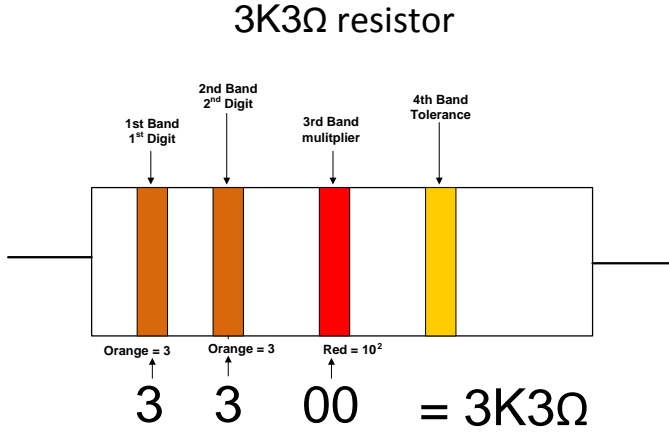
E.g. 1: Not using zone doubling: Zones 1 – 8 (3k3Ω resistor)



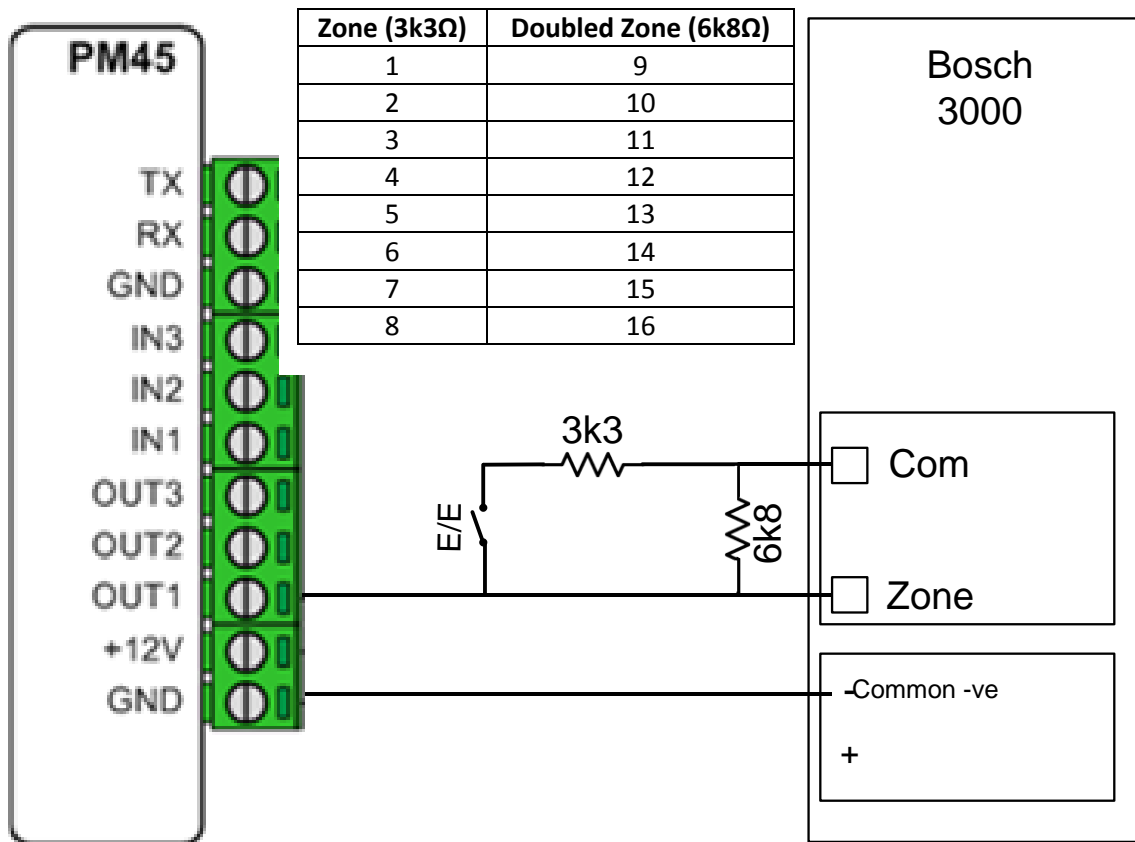
The zone number is reported as a User Code when arming and disarming using this method of operation.
(Contact ID Event Code E409 for Keyswitch Away Arm, R409 for Keyswitch Disarm & 442 for Keyswitch Stay 1 Arm).

E.g. 1: Not using zone doubling: Zones 1 – 8 (cont...)

- Zone 1**
 Location 267: Zone 1: **Zone Type: Must be 11 (Keyswitch Zone Type)**
 Location 270: Zone options 1: **Must be 8 (momentary Arm / Disarm in away mode).**
 Location 271: Zone options 2: **Must be 4 (force arming allowed)**
 Location 273: Report Options: **Must be 1 (primary telephone number)**
- Zone 2**
 Loc: 274: Zone Type:
 Loc: 277: Zone options 1:
 Loc: 278: Zone options 2:
 Loc: 280: Report Options:
- Zone 3**
 Loc: 281: Zone Type:
 Loc: 284: Zone options 1:
 Loc: 285: Zone options 2:
 Loc: 287: Report Options:
- Zone 4**
 Loc: 288: Zone Type:
 Loc: 291: Zone options 1:
 Loc: 292: Zone options 2:
 Loc: 294: Report Options:
- Zone 5**
 Loc: 295: Zone Type:
 Loc: 298: Zone options 1:
 Loc: 299: Zone options 2:
 Loc: 301: Report Options:
- Zone 6**
 Loc: 302: Zone Type:
 Loc: 305: Zone options 1:
 Loc: 306: Zone options 2:
 Loc: 308: Report Options:
- Zone 7**
 Loc: 309: Zone Type:
 Loc: 312: Zone options 1:
 Loc: 313: Zone options 2:
 Loc: 315: Report Options:
- Zone 8**
 Loc: 316: Zone Type:
 Loc: 319: Zone options 1:
 Loc: 320: Zone options 2:
 Loc: 322: Report Options:



E.g. 2: Using zone doubling: Zones 5 – 8. (6k8Ω resistor)



Location 266 = Must be set to 15 (Split EOL 3k3 & 6k8)
Other zone on the same terminals must be an Entry / Exit zone type.

E.g. 2: Using zone doubling: Zones 5 – 8 (cont...)



PERMACONN™

Zone 1

Loc: 267: Zone 1: **Zone Type: Must be 11 (Keyswitch Zone Type)**
Loc: 270: Zone options 1: **Must be 8 (momentary Arm / Disarm in away mode).**
Loc: 271: Zone options 2: **Must be 4 (force arming allowed)**
Loc: 273: Report Options: **Must be 1 (primary telephone number)**

Zone 2

Loc: 274: Zone Type:
Loc: 277: Zone options 1:
Loc: 278: Zone options 2:
Loc: 280: Report Options:

Zone 3

Loc: 281: Zone Type:
Loc: 284: Zone options 1:
Loc: 285: Zone options 2:
Loc: 287: Report Options:

Zone 4

Loc: 288: Zone Type:
Loc: 291: Zone options 1:
Loc: 292: Zone options 2:
Loc: 294: Report Options:

Zone 5

Loc: 295: Zone Type:
Loc: 298: Zone options 1:
Loc: 299: Zone options 2:
Loc: 301: Report Options:

Zone 6

Loc: 302: Zone Type:
Loc: 305: Zone options 1:
Loc: 306: Zone options 2:
Loc: 308: Report Options:

Zone 7

Loc: 309: Zone Type:
Loc: 312: Zone options 1:
Loc: 313: Zone options 2:
Loc: 315: Report Options:

Zone 8

Loc: 316: Zone Type:
Loc: 319: Zone options 1:
Loc: 320: Zone options 2:
Loc: 322: Report Options:

Zone 9

Loc: 323: Zone Type:
Loc: 326: Zone options 1:
Loc: 327: Zone options 2:
Loc: 329: Report options:

Zone 10

Loc: 330: Zone Type:
Loc: 333: Zone options 1:
Loc: 334: Zone options 2:
Loc: 336: Report options:

Zone 11

Loc: 337: Zone Type:
Loc: 340: Zone options 1:
Loc: 341: Zone options 2:
Loc: 343: Report options:

Zone 12

Loc: 344: Zone Type:
Loc: 347: Zone options 1:
Loc: 348: Zone options 2:
Loc: 350: Report options:

Zone 13

Loc: 351: Zone Type:
Loc: 354: Zone options 1:
Loc: 355: Zone options 2:
Loc: 357: Report options:

Zone 14

Loc: 358: Zone Type:
Loc: 361: Zone options 1:
Loc: 362: Zone options 2:
Loc: 364: Report options:

Zone 15

Loc: 365: Zone Type:
Loc: 368: Zone options 1:
Loc: 369: Zone options 2:
Loc: 371: Report options:

Zone 16

Loc: 372: Zone Type:
Loc: 375: Zone options 1:
Loc: 376: Zone options 2:
Loc: 378: Report options:

