

Bosch ICP-CC404 Alarm Panel



- ✓ **Panel Dialler wiring**
- ✓ **Panel Dialler programming**

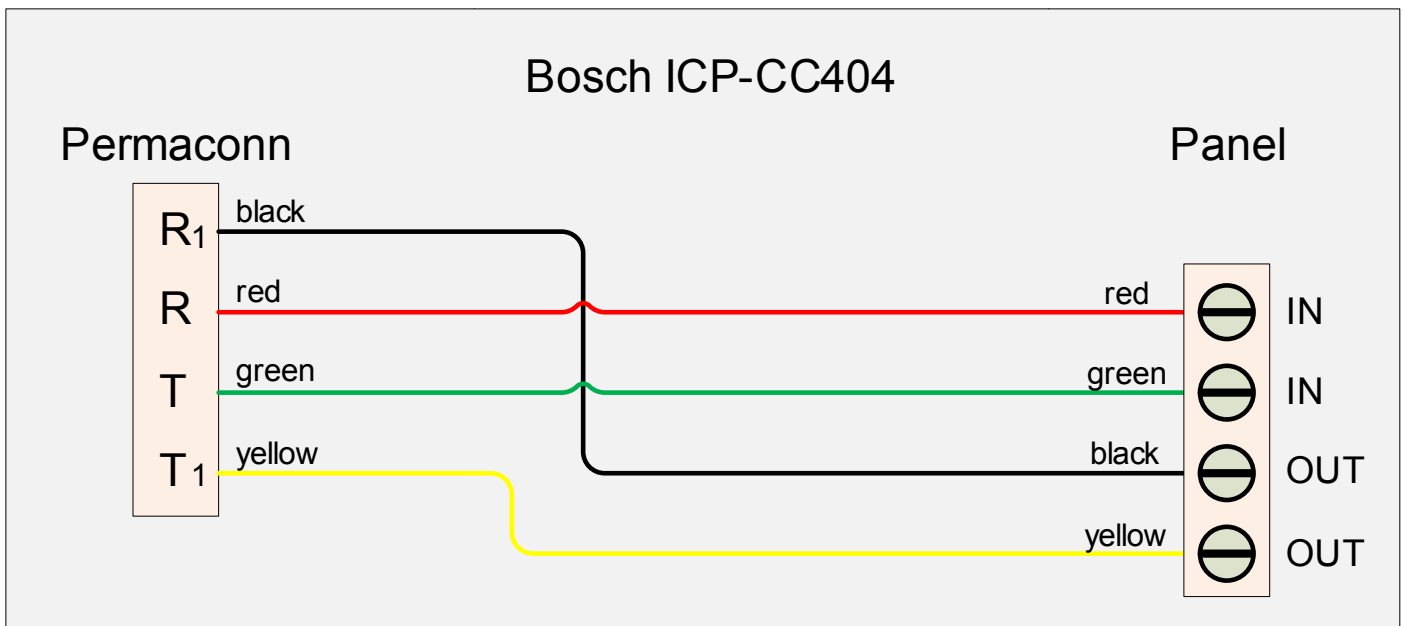
Background:

Permaconn communicators have a terminal block for the connection of the female 611 fly lead (supplied). If the Alarm Panel also has a terminal block for PSTN connection, we recommend you use your own cable between the Alarm Panel dialler and the Permaconn communicator. This type of installation negates the use of the female 611 fly lead, decreasing your installation time. For four (4), six (6) and eight (8) pin RJ connectors, please refer to manufactures wiring diagram.

There are five (5) minimum requirements from the Alarm panel for successful communication:

- 1) Must have an eight (8) digit primary phone. E.g. 12345678.
- 2) A four (4) digit account number.
- 3) Must be Contact ID format.
- 4) Must be set for tone (DTMF) dialling.
- 5) Open / Close reporting, must be enabled for Pocket Secure App.

Dialler Lead wiring between Permaconn and Bosch ICP-CC404 Alarm Panel:



Press and hold the '9' key to send an immediate test report.



Programming the Bosch ICP-CC404 Alarm Panel for dialler operation:

Phone Number 1 - Receiver 1

Loc: 000 to 015: 0 0 0 0 0 0 0 0 0 0 0 0 0 0 0 0 (0 = 10 and telephone termination = 0) (anywhere else 0 = 0)

Handshake Tone – Receiver 1

Loc: 032: **Must be set to 1** (HI-LO handshake (contact ID))

Transmission Format – Receiver 1

Loc: 033: **Must be set to 1** (contact ID)

Account/client ID

Loc: 034-039 (default = 000000) (NB# Right Justified) e.g. 001234

Dialling Format:

Loc 080: **Must be set to 1** (Australia DTMF)

Dialler Options 1:

Loc: 177: **Must be set to 9**: (1-Dialler reporting functions allowed) (8-Bell 103 used for FSK format (Disabled = CCITT V21))

User Codes 1-16: Attributes

The fifth location in each user code is the authority level:

0 Arm/disarm

1 Arm only

2 Arm/disarm and open/close reports (Pocket Secure App)

3 Arm only and close reports

4 Arm/disarm and code required to isolate

6 Arm/disarm and open/close reports and code required to isolate

8 Master code and arm/disarm

10 Master code and arm/disarm and open/close reports

12 Master code and arm/disarm and code required to isolate

14 Master code and arm/disarm and code required to isolate and open/close reports

Loc:	Default	Loc	Default
User 1:189	10	229	2
194	2	234	2
199	2	239	2
204	2	244	2
209	2	249	2
214	2	254	2
219	2	259	2
224	3	User 16: 264	2