


Honeywell v20a Alarm Panel



- ✓ **Keyswitch wiring**
- ✓ **Keyswitch programming**

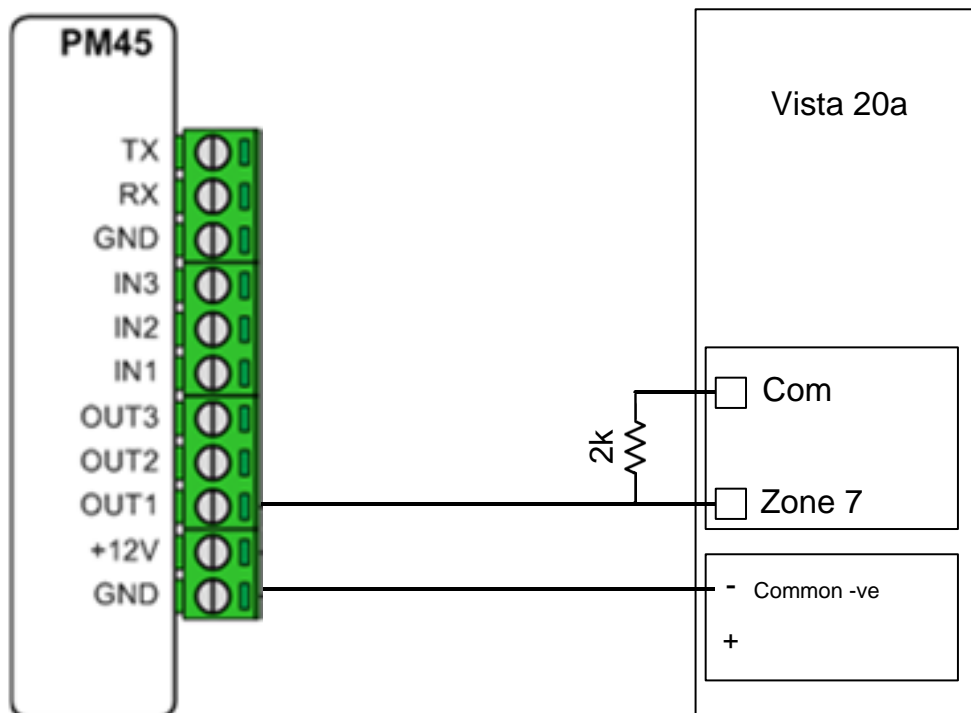
Background: There are three (3) Outputs available.

- Outputs are 'Open Collector' @50mA switching negative - for heavier loads a relay must be used.
 - Outputs can be used for e.g. Keyswitch, opening gates or doors etc.
 - Ensure there is a common negative between Permaconn and the device being switched.
 - The outputs can be Opened, Closed or Pulsed remotely using the Permaconn Atlas web portal.
 - The Pocket Secure App can only 'Pulse' the Outputs. A Pulse is approx 1sec.
-  Compatible with 'Pocket Secure' remote arming App, available on iTunes, Google Play and the Windows Phone Store.
- These outputs when wired to a Keyswitch zone on the Alarm Panel can arm & disarm up to a maximum of three (3) areas when using 'Pocket Secure' app.
 - Each area should be independently controlled using a separate Keyswitch zone.
 - Arm/Disarm reporting **MUST be Enabled**. Pocket Secure App requires this for its status notifications.
 - Test each Output by placing the +ve leg of a multi meter on the +ve terminal that supplies power to the Permaconn, then place the -ve leg of a multi meter on the Output terminal you wish to test. Pulse the selected Output the result should go from 0v DC to 12v DC for approx 1sec and back to 0vDC.

E.g. 1: Keyswitch wiring between Permaconn and Honeywell v20a Alarm Panel:

Fit 2K EOL resistor in parallel with zone 7 input, then install a wire between the PM45-3G output and the zone input.

Using Zone 7 key switch, wiring diagram:



- Each area should be independently controlled using a separate Keyswitch zone.
- Assigned automatically to Partition 1, on a vista 20a as a Keyswitch.



NB: You must use an Alpha keypad for zone programming
Press * field number to edit or # field number to view/feed back

- Press * 30 Keyswitch enable: Select option; 0=disable. (1) Enable Arm / Stay / Disarm. (2) Enable Stay / Instant / Disarm.
If used, Zone 7 will become a zone type 10 (interior with delay) and is no longer a protective zone, the Keyswitch wiring will be on zone 7. Assigned automatically to Partition 1.

If you want the Keyswitch to reside on Partition 2?

- Press * 56 (to enter zone programming).
- Select Zone 07
- Enter zone number 08 and press * key,

Summary screen no data input press * key.

- Zone type press * key.
- Select partition the Keyswitch resides in 1 or 2 press * key.
- Enable reporting of the Keyswitch select 01 (00 disables reporting) press * key.
- Hardware Type: leave as 0 (EOL) press * key.
- Select response time: Default is 1 =400ms
NB: If Keyswitch responds as tamper Zn 07 or Arms in stay mode change to 0 = 10ms.

Summary screen no data input press * key.

- Enter zone number, select 00 to exit (*56 zone programming mode).
- Enable Open and Close reports Press *66 enter 1010
- Press * 99 to exit program mode..

2KΩ resistor

