

- ✓ **Keyswitch wiring**
- ✓ **Keyswitch programming**

Background: There are three (3) Outputs available.

- Outputs are 'Open Collector' @50mA switching negative - for heavier loads a relay must be used.
- Outputs can be used for e.g. Keyswitch, opening gates or doors etc.
- Ensure there is a common negative between Permaconn and the device being switched.
- The outputs can be Opened, Closed or Pulsed remotely using the Permaconn Atlas web portal.
- The Pocket Secure App can only 'Pulse' the Outputs. A Pulse is approx 1sec.



Compatible with 'Pocket Secure' remote arming App, available on iTunes, Google Play and the Windows Phone Store.

- These outputs when wired to a Keyswitch zone on the Alarm Panel can arm & disarm up to a maximum of three (3) areas when using 'Pocket Secure' app.
- Each area should be independently controlled using a separate Keyswitch zone.
- Arm/Disarm reporting **MUST be Enabled**. Pocket Secure App requires this for its status notifications.

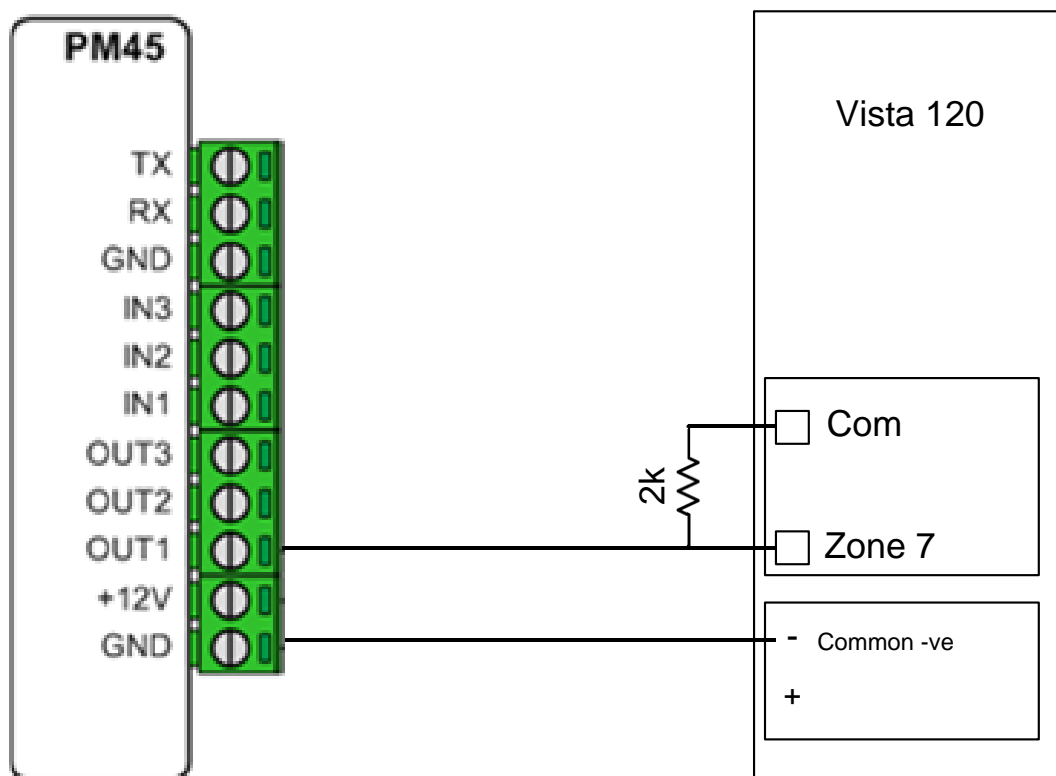
Test each Output by placing the +ve leg of a multi meter on the +ve terminal that supplies power to the Permaconn, then place the -ve leg of a multi meter on the Output terminal you wish to test. Pulse the selected Output the result should go from 0v DC to 12v DC for approx 1sec and back to 0vDC.

- Only 1 area can be programmed on a vista 120 as a Keyswitch.

E.g. 1: Keyswitch wiring between Permaconn and Honeywell v120 Alarm Panel:

Fit 2K EOL resistor in parallel with zone 7 input, then install a wire between the PM45-3G output and the zone input.

Using Zone 7 key switch, wiring diagram:





NB: You must use an Alpha keypad for zone programming
Press * field number to edit or # field number to view/feed back

- To enter programme mode, enter installer code (default 4140) + 8 + 0 + 0 + 0

NB: Press * field number to edit or # field number to view / feedback.

- Press * 15 KEYSWITCH ASSIGNMENT [0] 1-8; 0=disable. Enter partition in which key switch is used. If used, Zone 7 will become a zone type 10 (interior with delay) and is no longer a protective zone, The Keyswitch wiring will be on zone 7.
- Press * 40 Enable Open/Close Report for Keyswitch 0 = disable 1 = enable. Must be set to 1
- Press * 94 (to enter upper level 1*00 - 1*77).
- Press * 20 Auto Bypass Faulted Exit Route Zones 0 = disable / 1 = enable. Must be set to 1 Bypasses faulted Exit Routes Zones (types 1, 2, 4, 10) at the end of exit delay.
- Press * 99 (to go down 1 level 0*00 – 0*90).
- Press * 99 to exit program mode.

2KΩ resistor

