

## InnerRange Concept 2000 Alarm Panel

- ✓ **Panel Dialler wiring**
- ✓ **Panel Programming**



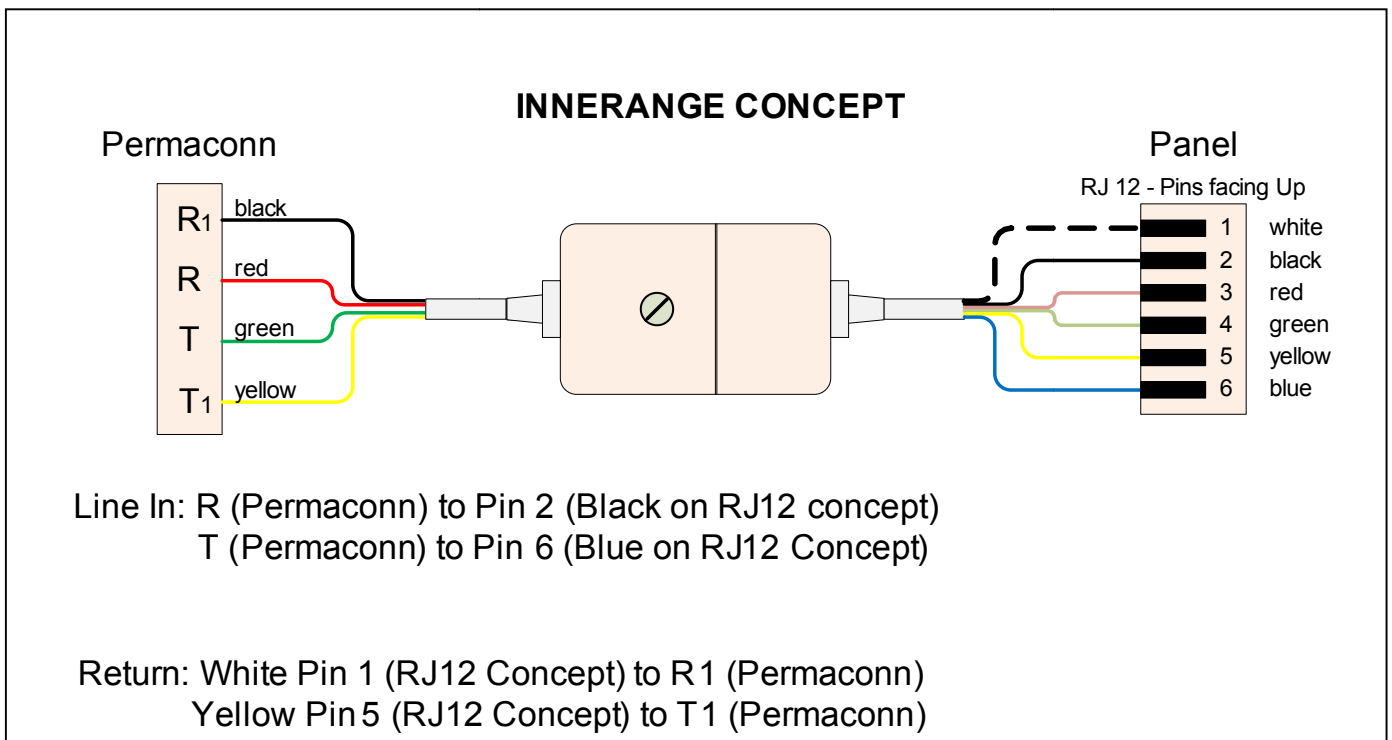
### **Background:**

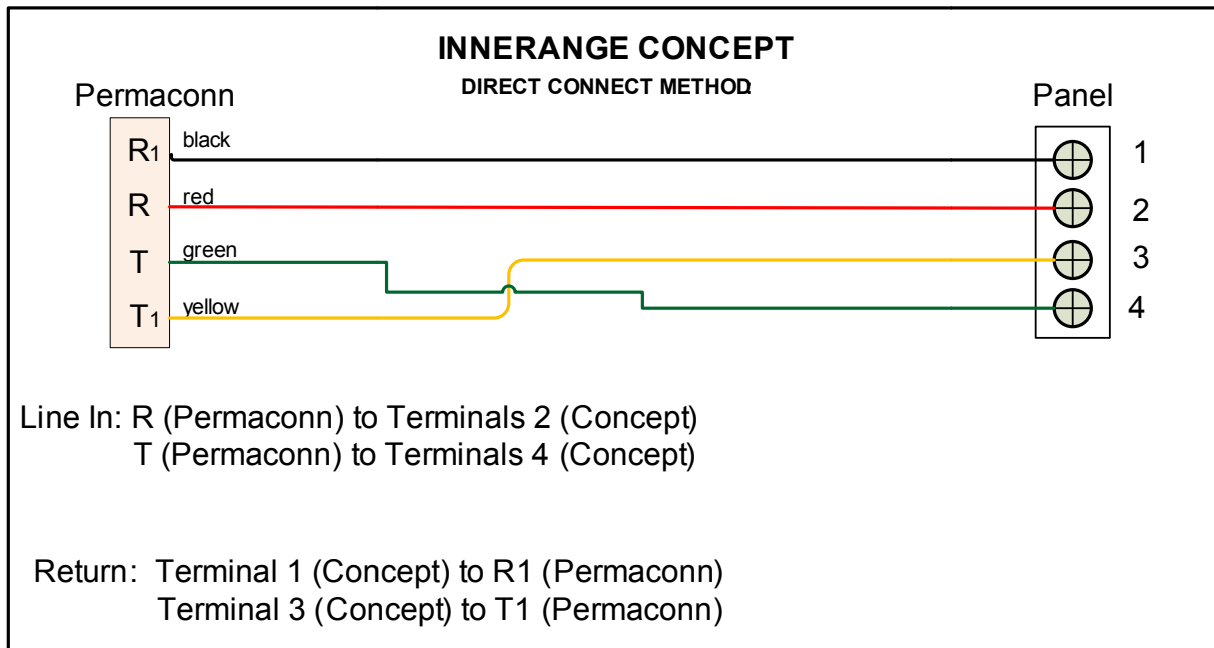
Permaconn communicators have a terminal block for the connection of the female 611 fly lead (supplied). If the Alarm Panel also has a terminal block for PSTN connection, we recommend you use your own cable between the Alarm Panel dialler and the Permaconn communicator. This type of installation negates the use of the female 611 fly lead, decreasing your installation time. For four (4), six (6) and eight (8) pin RJ connectors, please refer to manufactures wiring diagram.

There are five (5) minimum requirements from the Alarm panel for successful communication:

- 1) Must have an eight (8) digit primary phone. E.g. 12345678.
- 2) A four (4) digit account number.
- 3) Must be Contact ID format.
- 4) Must be set for tone (DTMF) dialling.
- 5) Open / Close reporting, must be enabled for Pocket Secure App.

### **Dialler Lead wiring between Permaconn and InnerRange Concept Alarm Panel:**





**Access press Menu + 7 + 3 (communications)**

- Current Type: Dialler (use up & down arrows to select available modes ) + press OK button when done.
- Current Type: Dialler (use left arrow to enter communication sub-system select Tone dialling)  
press 9 key to select Y = Yes + press OK button when done.
- Client code: Hard ID/Account N# (N# > N# > N# > N#) + OK button when done.
- Primary Number: min 8digits (N# > N# > N# > N# > N# > N# > N# > N#) + press OK button when done.
- Backup Number: No backup number required + press OK button when done.
- Call back Number: DO NOT USE (leave empty) + press OK button when done.
- Client Number: DO NOT USE (leave empty) + press OK button when done.
- PABX Number: DO NOT USE (leave empty) + press OK button when done.
- Format Selection: Contact ID (use up & down arrows to select available modes ) + press OK button when done.
- Personnel Dialling: DO NOT USE (leave empty) + press OK button when done.
- Press END to exit program mode