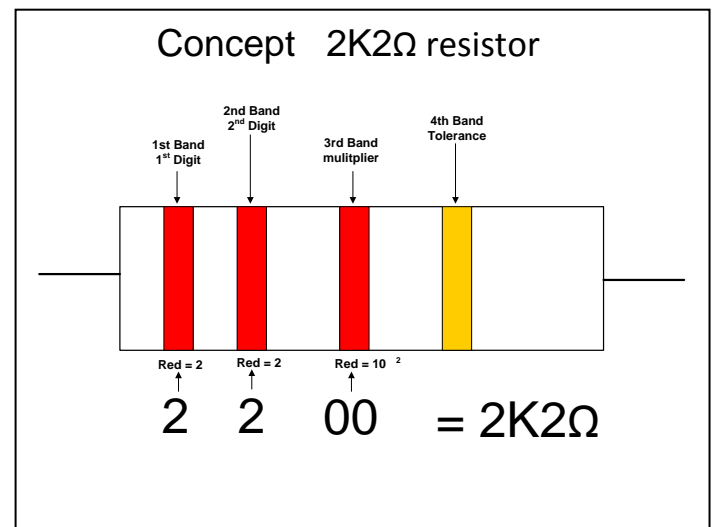
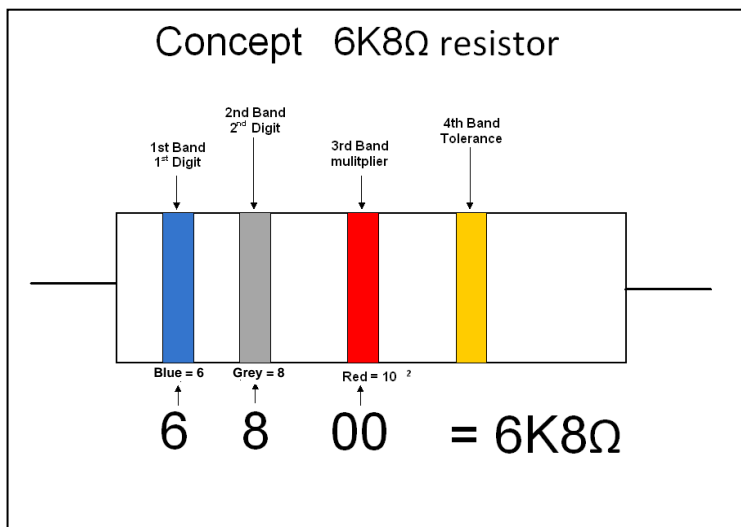
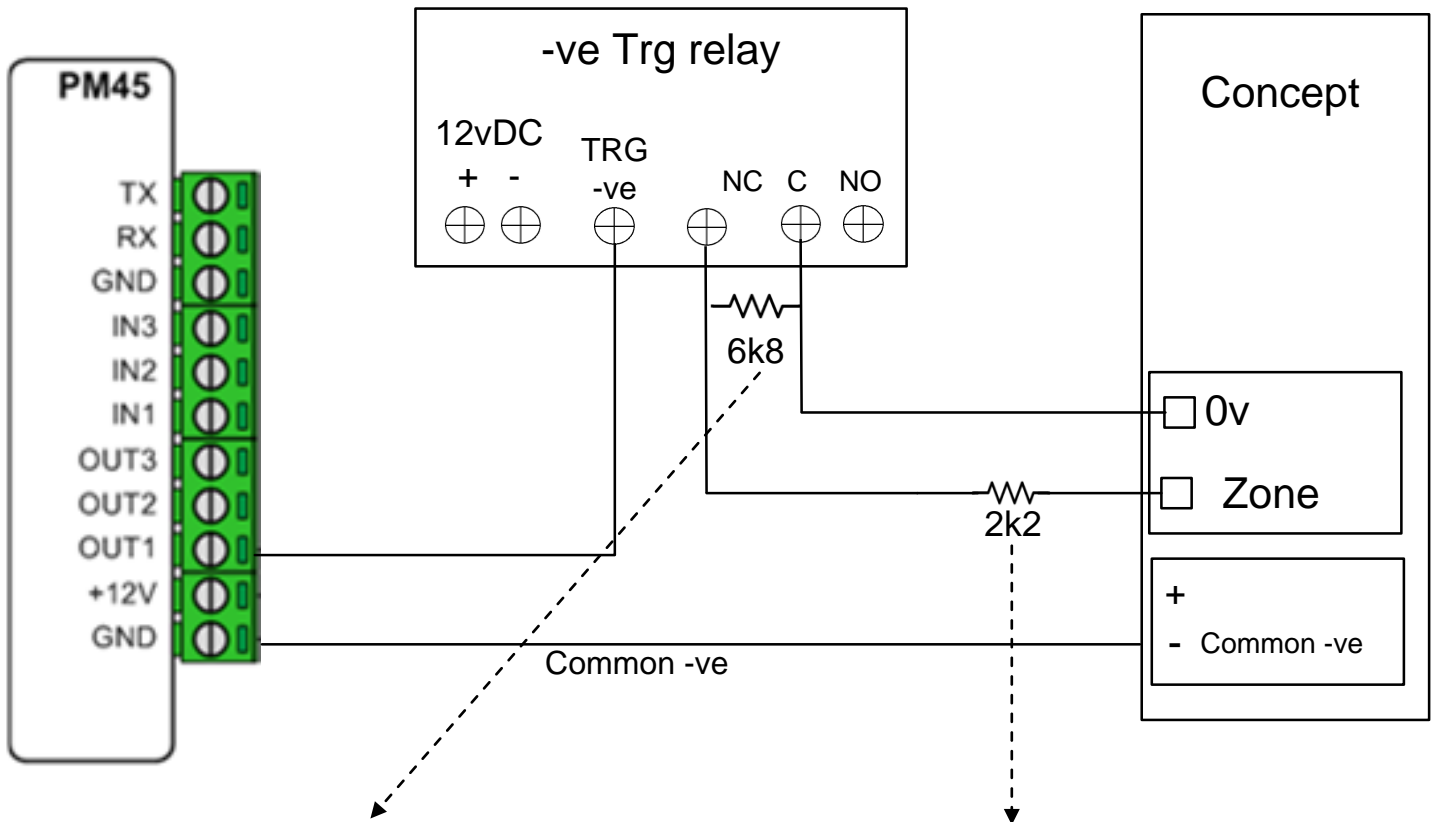


InnerRange Concept Alarm Panel

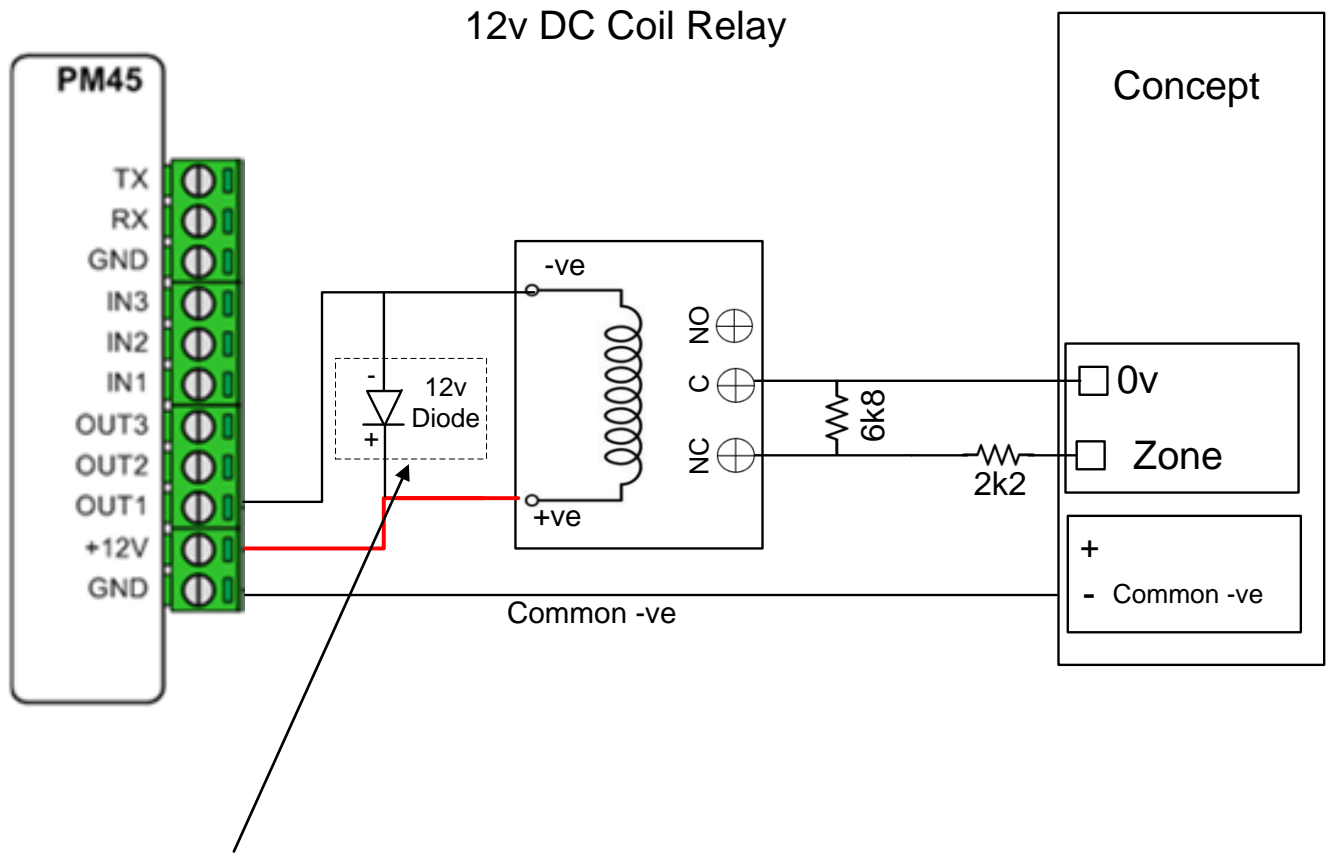


- ✓ Keyswitch wiring using a relay
- ✓ Keyswitch wiring without relay

E.g. 1: Keyswitch wiring between Permaconn and InnerRange Concept Alarm Panel: Using a -ve Trigger Relay

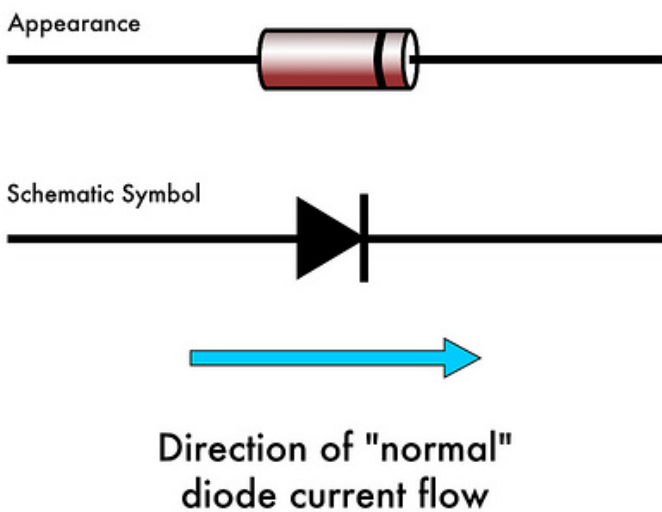


E.g. 2: Keyswitch wiring between Permaconn and InnerRange Concept Alarm Panel: Using a Coil Relay



The most common **function** of a **diode** is to allow an electric current to pass in one direction (called the **diode's** forward direction), while blocking current in the opposite direction (the reverse direction).

The diode is used to eliminate back EMF, which is the sudden voltage spike seen across an inductive load when its supply current is suddenly reduced.



E.g. Keyswitch wiring between Permaconn and InnerRange Concept Alarm Panel without a relay.

Courtesy of Michael Arnold from FAST Electronic Systems Pty Ltd.

