

- ✓ **Keyswitch wiring**
- ✓ **Keyswitch programming**

Background: There are three (3) Outputs available.

- Outputs are 'Open Collector' @50mA switching negative - for heavier loads a relay must be used.
- Outputs can be used for e.g. Keyswitch, opening gates or doors etc.
- Ensure there is a common negative between Permaconn and the device being switched.
- The outputs can be Opened, Closed or Pulsed remotely using the Permaconn Atlas web portal.
- The Pocket Secure App can only 'Pulse' the Outputs. A Pulse is approx 1sec.



Compatible with 'Pocket Secure' remote arming App, available on iTunes, Google Play and the Windows Phone Store.

- These outputs when wired to a Keyswitch zone on the Alarm Panel can arm & disarm up to a maximum of three (3) areas when using 'Pocket Secure' app.
- Each area should be independently controlled using a separate Keyswitch zone.
- Arm/Disarm reporting **MUST be Enabled**. Pocket Secure App requires this for its status notifications.
- Test each Output by placing the +ve leg of a multi meter on the +ve terminal that supplies power to the Permaconn, then place the -ve leg of a multi meter on the Output terminal you wish to test. Pulse the selected Output the result should go from 0v DC to 12v DC for approx 1sec and back to 0vDC.

MCM ICON 16 Keyswitch programming

Function 72: User ID
Must be a '1' = enabled

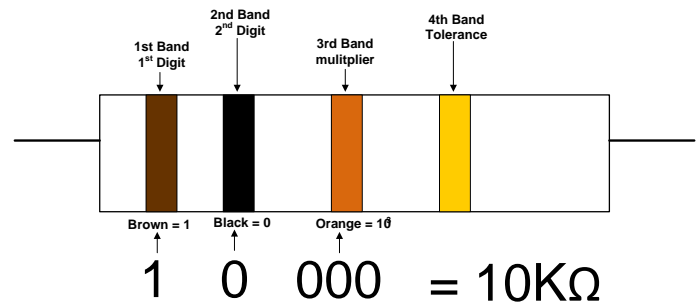
Area	User	Area	User
1	81	4	84
2	82	5	85
3	83	6	86

Area keyswitch:

Area	Zone	Area	Zone
1	11	4	14
2	12	5	15
3	13	6	16

Function 63: Open close Reports

Key Sequence	Operation
Tech code + On	Takes you to function 37
63	Function
01 (1 area)	Single area Report
02 (2 areas)	Area 2 Report
03 (3 areas) and so on	Area 3 Report
On	Stores selection.
Off	Exit program mode



NB: Make sure you remove keyswitch zone out of Functions 31 - 36

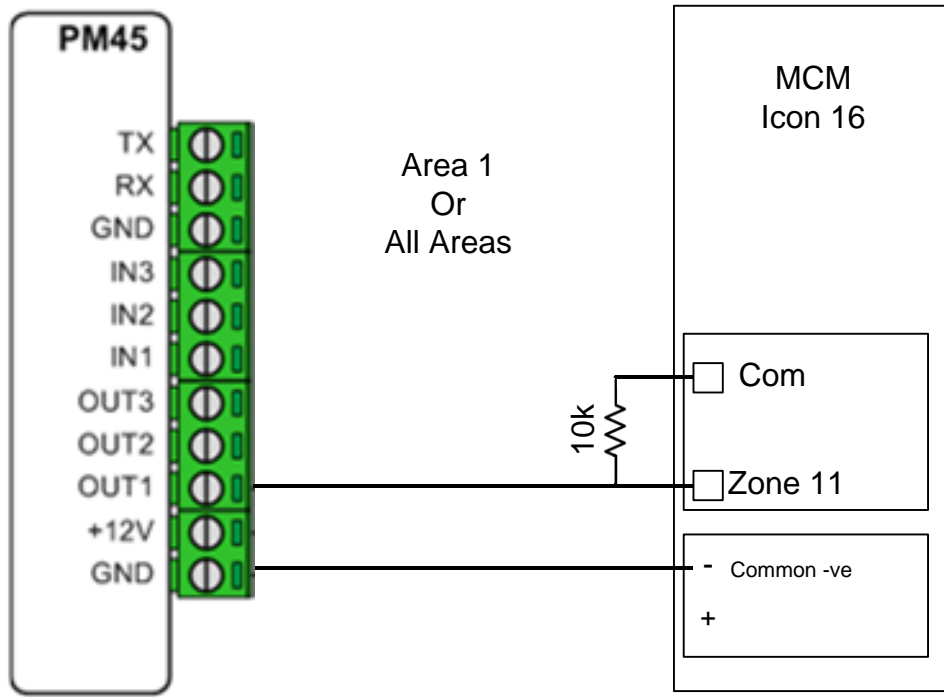
Function 37: Allows programming of one or more key switches.

NB: By default the Keyswitch function is momentary.

All zone must be sealed at the time of Arming.

Key Sequence	Operation
Tech code + 37	Takes you to function 37
11 (1 area)	Single area
12 (2 areas)	2 separate keyswitch areas
13 (3 area) and so on	3 separate keyswitch areas
On	Stores selection.
Off	Exit program mode

Single Area or Area 1



Multiple Areas

