


# MCM ICON 8

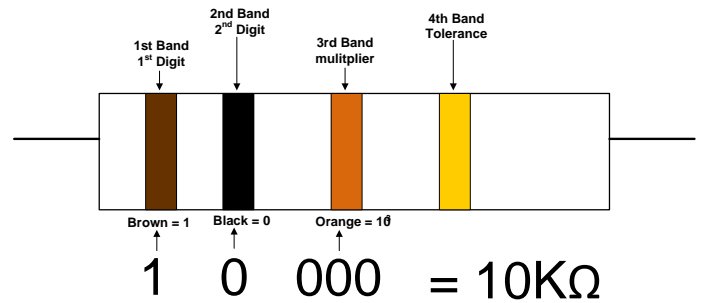


- ✓ **Keyswitch wiring**
- ✓ **Keyswitch programming**

**Background: There are three (3) Outputs available.**

- Outputs are 'Open Collector' @50mA switching negative - for heavier loads a relay must be used.
  - Outputs can be used for e.g. Keyswitch, opening gates or doors etc.
  - Ensure there is a common negative between Permaconn and the device being switched.
  - The outputs can be Opened, Closed or Pulsed remotely using the Permaconn Atlas web portal.
  - The Pocket Secure App can only 'Pulse' the Outputs. A Pulse is approx 1sec.
-  Compatible with 'Pocket Secure' remote arming App, available on iTunes, Google Play and the Windows Phone Store.
- These outputs when wired to a Keyswitch zone on the Alarm Panel can arm & disarm up to a maximum of three (3) areas when using 'Pocket Secure' app.
  - Each area should be independently controlled using a separate Keyswitch zone.
  - Arm/Disarm reporting **MUST be Enabled**. Pocket Secure App requires this for its status notifications.
  - Test each Output by placing the +ve leg of a multi meter on the +ve terminal that supplies power to the Permaconn, then place the -ve leg of a multi meter on the Output terminal you wish to test. Pulse the selected Output the result should go from 0v DC to 12v DC for approx 1sec and back to 0vDC.

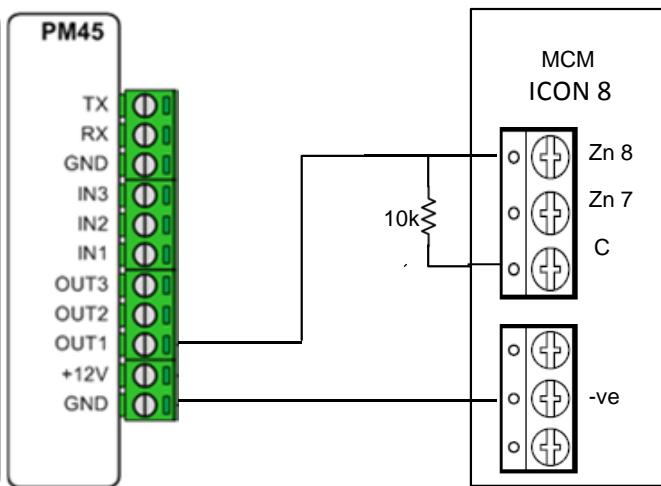
## MCM ICON 8 Alarm Panel



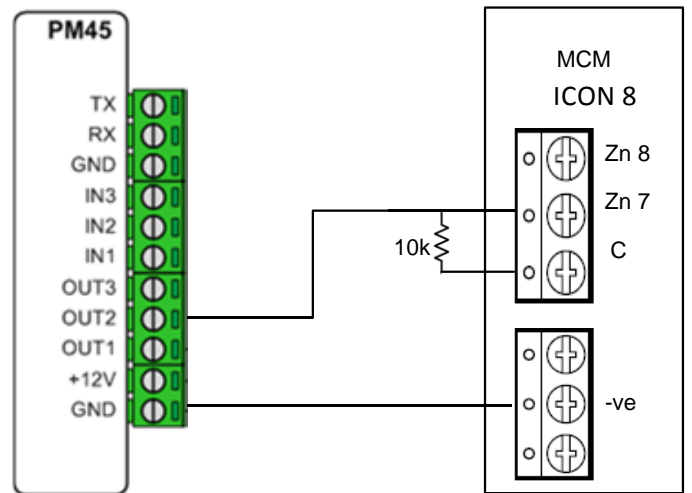
**Function 93: Keyswitch Option:**

Options : (Single digit entry required)

- 0 - No Keyswitch fitted
- 1 - Latched Keyswitch (input 7 = partial, input 8 = full arm)
- 2 - Momentary Keyswitch, if input faulted for longer than 2 secs. As per option 1, input 7 is partial arm and input 8 is full arm.
- 3 - Momentary Keyswitch as per option 2 but with only input 8 used (Full arm only)
- 4 - Momentary Keyswitch as per option 2 but with only input 7 used (Partial arm only)



Option: 3 Momentary Keyswitch with only Zone 8 used (Full arm only) Using Output 1



Option: 4 Momentary Keyswitch with only Zone 7 used (Partial arm only) Using Output 2

Option: 2 Momentary Keyswitch using both Zone 7 (Partial arm only) & Zone 8 (Full arm only)