


Paradox NE96



- ✓ **Keyswitch wiring**
- ✓ **Keyswitch programming**

Background: There are three (3) Outputs available.

- Outputs are 'Open Collector' @50mA switching negative - for heavier loads a relay must be used.
- Outputs can be used for e.g. Keyswitch, opening gates or doors etc.
- Ensure there is a common negative between Permaconn and the device being switched.
- The outputs can be Opened, Closed or Pulsed remotely using the Permaconn Atlas web portal.
- The Pocket Secure App can only 'Pulse' the Outputs. A Pulse is approx 1sec.
-  Compatible with 'Pocket Secure' remote arming App, available on iTunes, Google Play and the Windows Phone Store.
- These outputs when wired to a Keyswitch zone on the Alarm Panel can arm & disarm up to a maximum of three (3) areas when using 'Pocket Secure' app.
- Each area should be independently controlled using a separate Keyswitch zone.
- Arm/Disarm reporting **MUST be Enabled**. Pocket Secure App requires this for its status notifications.
- Test each Output by placing the +ve leg of a multi meter on the +ve terminal that supplies power to the Permaconn, then place the -ve leg of a multi meter on the Output terminal you wish to test. Pulse the selected Output the result should go from 0v DC to 12v DC for approx 1sec and back to 0vDC.

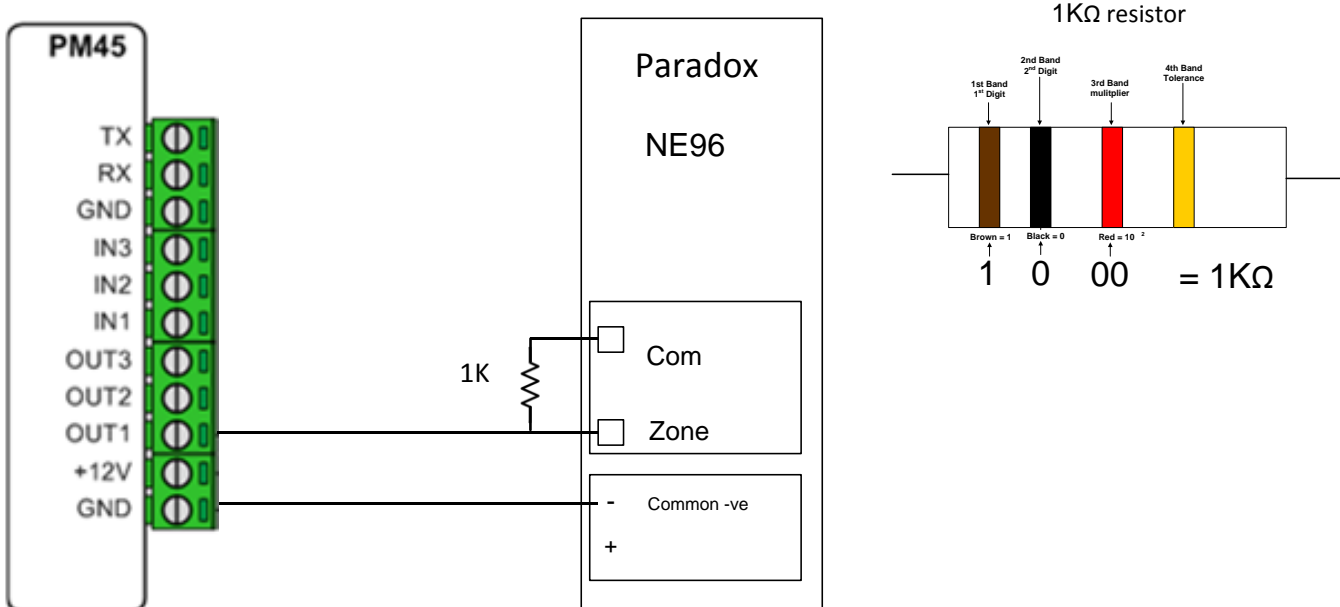
Paradox NE96 Alarm Panel

Opening / Closing communicator codes must be enabled, Key Switch arming/ disarming will report.

(Required for Pocket Secure App)

Any zones can be used as a Keyswitch

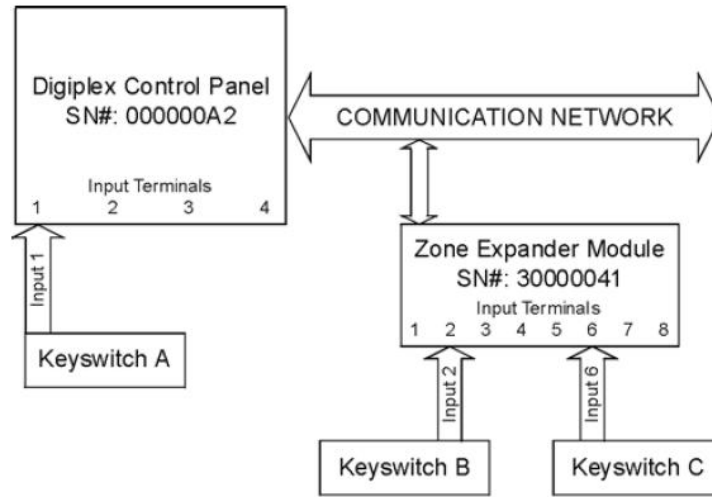
E.g. 1: Using zone 2.



Keyswitch reports a User 000 CID409 Keyswitch O / C

Programming Paradox NE96 for Keyswitch:

Example of Keyswitch Numbering



Keyswitch	Zone #	Section	Serial#	Input#
Keyswitch A:	1 =	[049]	000000A2	001
Keyswitch B:	2 =	[050]	30000041	002
Keyswitch C:	3 =	[051]	30000041	006

