


Paradox SP1759



- ✓ **Keyswitch wiring**
- ✓ **Keyswitch programming**

Background: There are three (3) Outputs available.

- Outputs are 'Open Collector' @50mA switching negative - for heavier loads a relay must be used.
- Outputs can be used for e.g. Keyswitch, opening gates or doors etc.
- Ensure there is a common negative between Permaconn and the device being switched.
- The outputs can be Opened, Closed or Pulsed remotely using the Permaconn Atlas web portal.
- The Pocket Secure App can only 'Pulse' the Outputs. A Pulse is approx 1sec.
-  Compatible with 'Pocket Secure' remote arming App, available on iTunes, Google Play and the Windows Phone Store.
- These outputs when wired to a Keyswitch zone on the Alarm Panel can arm & disarm up to a maximum of three (3) areas when using 'Pocket Secure' app.
- Each area should be independently controlled using a separate Keyswitch zone.
- Arm/Disarm reporting **MUST be Enabled**. Pocket Secure App requires this for its status notifications.
- Test each Output by placing the +ve leg of a multi meter on the +ve terminal that supplies power to the Permaconn, then place the -ve leg of a multi meter on the Output terminal you wish to test. Pulse the selected Output the result should go from 0v DC to 12v DC for approx 1sec and back to 0vDC.

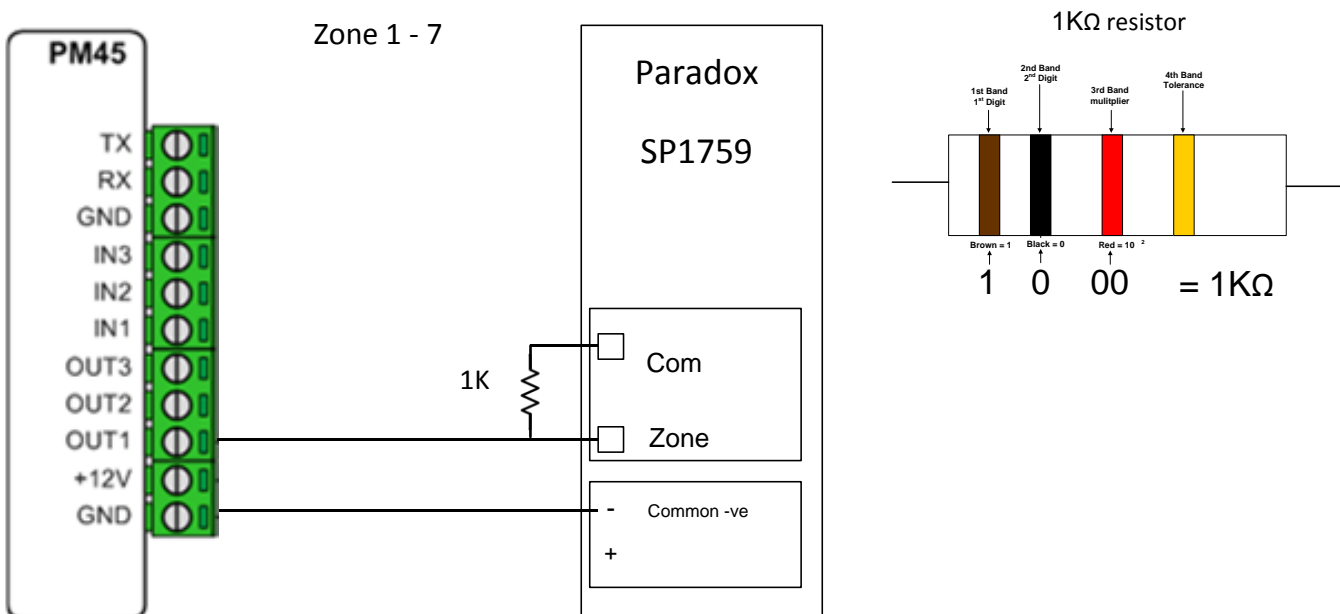
Paradox SP1759 Alarm Panel

If the Opening / Closing communicator codes are enabled, Key Switch arming/ disarming will report.

(Required for Pocket Secure App)

Zones 1 - 7 can be used as a Keyswitch

E.g. 1: Using zone 2.



Keyswitch reports a User 000 CID409 Keyswitch O / C

Programming A Paradox SP1759 for Keyswitch:

Section (001) = Zone 1 (005) = Zone 5
 (002) = Zone 2 (006) = Zone 6
 (003) = Zone 3 (007) = Zone 7
 (004) = Zone 4

Zone Definition: Must be set to '7' (Keyswitch)

Partition Assignment:

Partition 1 = 1
Partition 2 = 2
Partition 1 & 2 = 3 (must be set for arming both partitions on 1 keyswitch zone)

Keyswitch Options: 1= On (momentary), 2 = OFF (regular arm)

Switch to Stay Arming if no Entry Delay is opened

Section [133]: = Partition 1
Section [134]: = Partition 2
Option [7] OFF = Switch to Stay Arming Disabled (default)
Option [7] ON = Switch to Stay Arming Enabled

If a user Regular arms a partition, but does not exit through (open and close) an entry delay zone during the exit delay, the control panel can be programmed to switch from Regular arming to Stay arming.

Section [131]: Arming/Disarming Options

Option [1] Report Disarm On = Only after an Alarm OFF = Always (must be OFF)
Option [2] Regular Arming Switches to Force Arming On = Enabled OFF = Disabled

Arming Report:

Section 173

Special Arming Codes
/ | Quick Arming
/ | Arming via PC
/ | Keyswitch Arming
/ | NA

Disarming Report

Section 186

Special Disarming Codes
/ | Quick Arming
/ | Arming via PC
/ | Keyswitch Arming
/ | NA