

Texecom Premier 412 Alarm Panel

- ✓ **Panel Dialler wiring**
- ✓ **Panel Dialler programming**



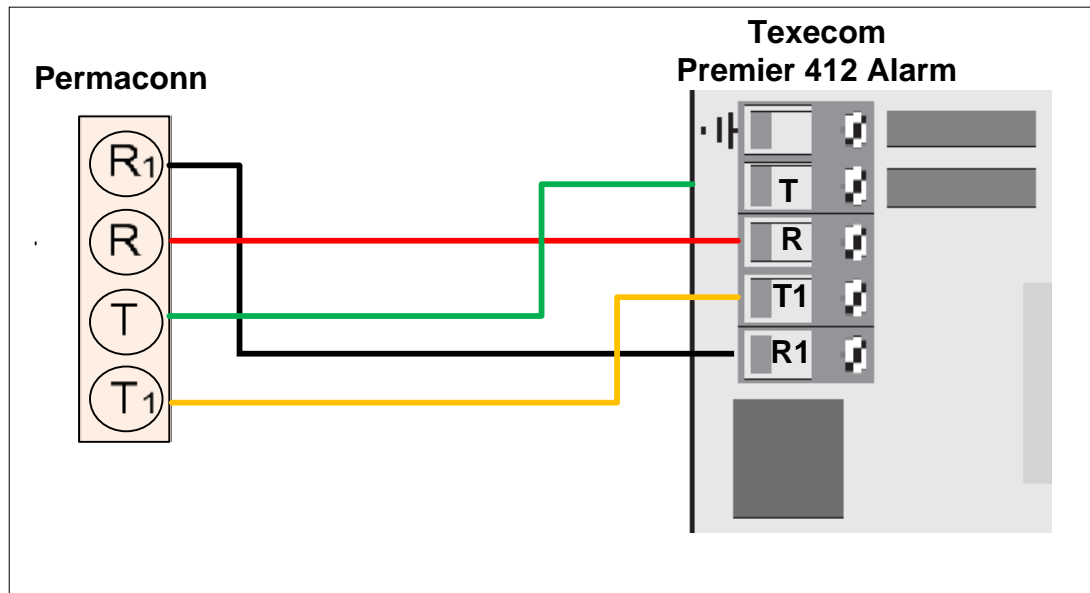
Background:

Permaconn communicators have a terminal block for the connection of the female 611 fly lead (supplied). If the Alarm Panel also has a terminal block for PSTN connection, we recommend you use your own cable between the Alarm Panel dialler and the Permaconn communicator. This type of installation negates the use of the female 611 fly lead, decreasing your installation time. For four (4), six (6) and eight (8) pin RJ connectors, please refer to manufactures wiring diagram.

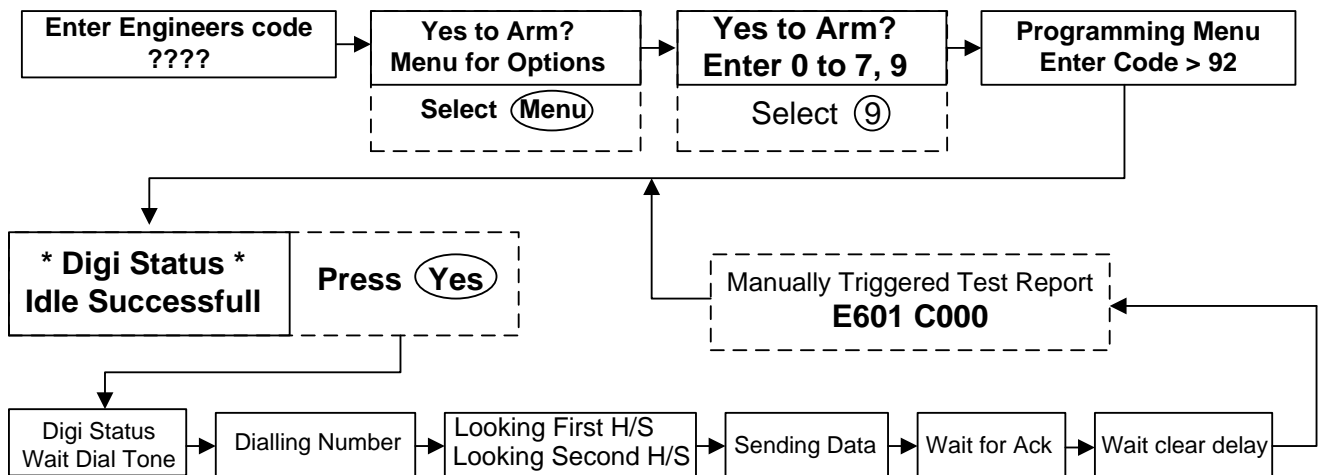
There are five (5) minimum requirements from the Alarm panel for successful communication:

- 1) Must have an eight (8) digit primary phone. E.g. 12345678.
- 2) A four (4) digit account number.
- 3) Must be Contact ID format.
- 4) Must be set for tone (DTMF) dialling.
- 5) Open / Close reporting, must be enabled for Pocket Secure App.

Dialler Lead wiring between Permaconn and Texecom Premier 412 Alarm Panel:



Send Test Report



Programming



PERMACONN™

Led Key

- Off
- On
- Slow Flash
- Fast Flash

Note

Only Engineer codes that have the "Allow NVM Locking/Communicator Programming" option are allowed to access menus 70 - 79.

Enter Engineers code
????
Then press Menu + 9

Programming Menu
Enter Code > ??

Digi Options
> 123 **** 8 <

Use keys (1) - (8) to select/deselect Options.
Then press (Yes) or (Arm)

- ### Communicator Options
- (1) Enable On-Board Communicator
 - (2) Enable DTMF Dialling
 - (3) Switch to Pulse Dialling after 3rd Attempt
 - (8) Enable Blind Dialling

(7) (0)

(7) (1)

Alarm Receiving Center 1 Menu

ARC No.1 Menu
Enter Option 0-8

(0) →

Primary Tel No

Pri No.>

Enter Telephone Number
Then press (Yes) or (Arm)

Secondary Tel No NOT required

LED: To display Telephone Number press (Disarm)

(1) →

Account No 1

Acc No1>

Enter Account Number 1
Then press (Yes) or (Arm)

Press (Area) to toggle Account No 1/2/3/4.

LED: To display Account Number press (Disarm)

(2) →

Protocol / Format

Protocol Contact ID

Enter (4) Contact ID

(3) →

Dial Attempts

Dial Attempts
Enter Value: 003

Enter Value (0) - (9).
LCD: Use (Down Arrow) to scroll value then press (Yes).

(4) →

Reporting Partitions

Partitions
> 1234.... <

Use keys (1) - (4) to select/deselect Options.
Then press (Yes) or (Arm)

(5) →

Reporting Events

Report Events
> 12345678 <

Reporting Events

- (1) Report Priority Alarm and Cancel Events
- (2) Report Alarm and Cancel Events
- (3) Report Open and Close Events
- (4) Report Bypass and Unbypass Events
- (5) Report Maintenance Alarm Events
- (6) Report Tamper Alarm Events
- (7) Report Test Transmission Events
- (8) Report Restore Events

- (6) Pulse Format Options NOT USED
- (7) Fast Format Reporting NOT USED
- (8) Protocol Options NOT USED

- (7) (2) NOT USED
- (7) (3) NOT USED
- (7) (4) NOT USED
- (7) (5) NOT USED

Log out of programming : Press Menu + Reset